

HORIZONTAL PUMPS FOR FILTER-PRESS SERIES PSO



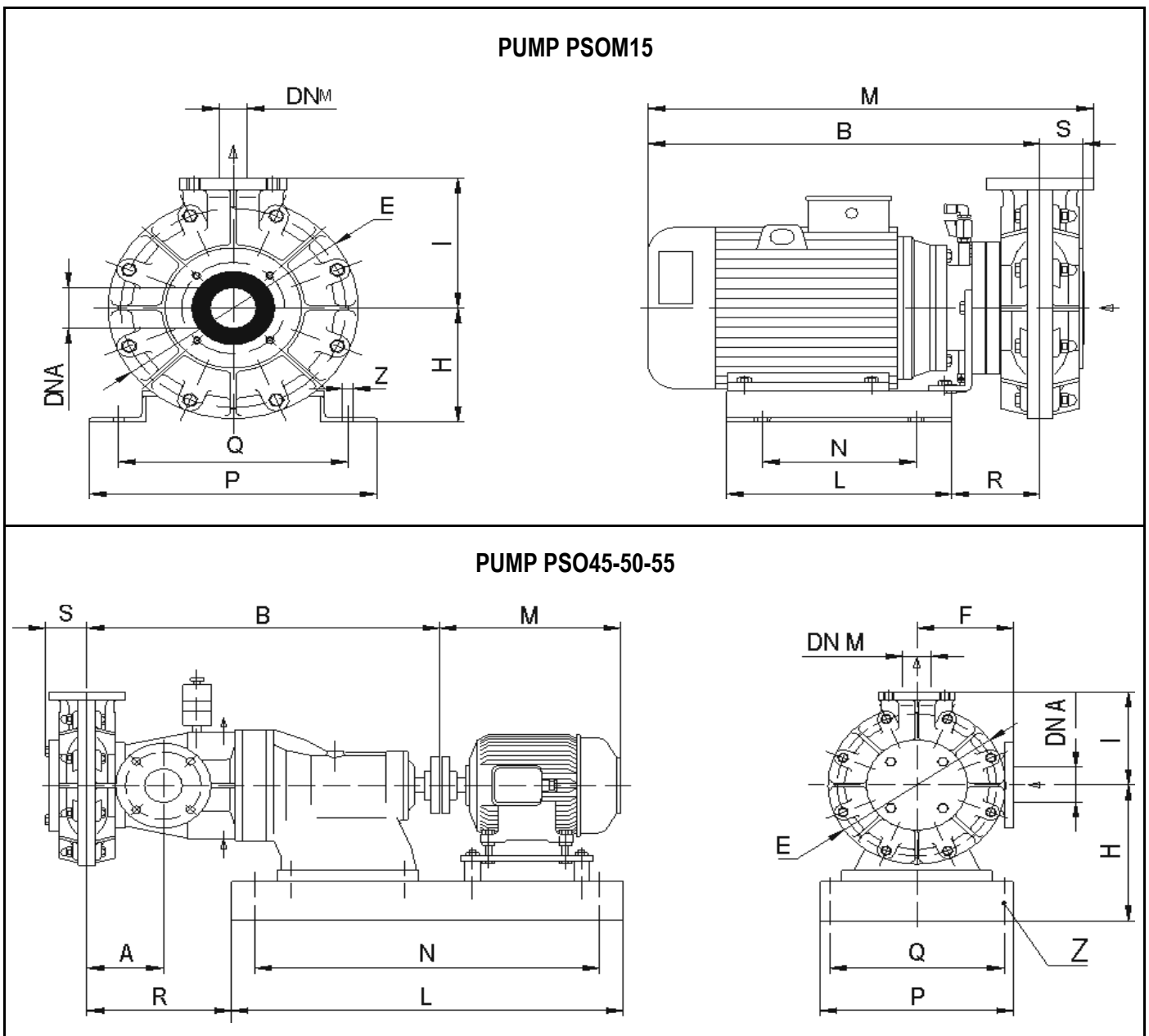
OVERALL DIMENSIONS

01/2009

PUMPS	DIMENSION in mm																		WEIGHT	
	DM _A	DN _M	A	B	C	E	F	G	H	I	L	M	N	P	Q	R	S	Z	COMPLETE	PUMP ONLY
PSOM15	65	40	---	548	---	350	---	---	180	205	315	623	230	403	320	123	60	14	118	---
PSO45	80	40	155	740	---	350	150	---	315	205	1050	650	960	450	300	295	85	22	262	155*
PSO50	80	40	155	740	---	350	150	---	315	205	1050	650	960	450	300	295	85	22	270	155*
PSO55	80	40	155	740	---	350	150	---	315	205	1050	650	960	450	300	295	85	22	270	155*
PSO75	80	70	182	780	235	512	150	160	315	240	720	652	570	950	860	153	115	22	415	185*

Approximate dimensions and weight

* Weight for pump without motor, joint and pulleys/belts, base-plate and casing.



PUMP PS075

