

HORIZONTAL PUMPS FOR FILTER-PRESS SERIES PSO



OPERATING FEATURES

01/2009

TYPE PSO	DELIVERIES									FINAL PRESSURE in BAR			Speed RPM	Motore KW	Inside diam. of piping mm
	m ³ /h l/l'	3,6	7,2	12	18	24	30	36	48	Max specific gravity					
		60	120	200	300	400	500	600	800	1,3	1,5	1,6			
PSOM15	HEADS in m	38	37	34	28	23	15			4,9	5,7		2910	11	50
PSO 45		33	32	31	30	27	22			4,2	4,9		2920	11	50
PSO 50		40	39	38	37	35	30			5,2	6		2925	15	50
PSO 55		10	9,5	9	7,5	6				1,3	1,5		1450	11/9 2/4 poli	50
		40	39	38	37					5,2	6		2880		
PSO 75		11	11	10,5	10	9,5	9	8	6	1,4	1,6	1,7	1150	18,5/15 2/4 poli	70
		43,5	43,5	43	42	40,5				5,6	6,5	6,9	2300		
		12,5	12,5	12	11,5	11	10,5	10	8	1,6	1,8		1230		
		49,5	49	48,5	47,5	46				6,4	7,4		2450		
		14	14	13,5	13	12,5	12	11	9	1,8			1300		
	56	55,5	55	54	53				7,3			2600			

Data variable depending on the nature of the liquid, measured at the mouth of the pump.

* For other performances we are at your disposal to satisfy your requirements on specific request.

HORIZONTAL PUMPS FOR FILTER-PRESS SERIES PSO



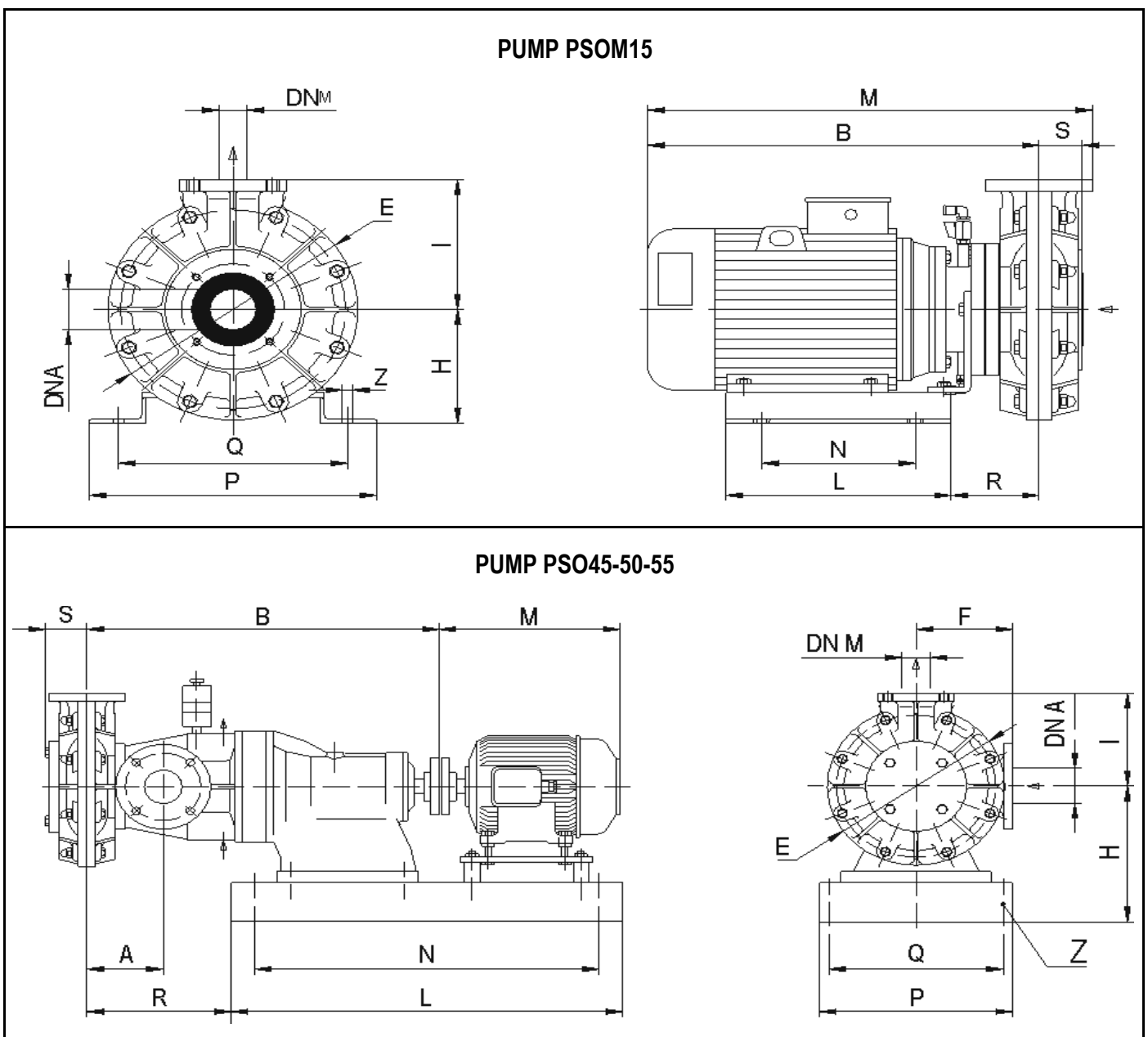
OVERALL DIMENSIONS

01/2009

PUMPS	DIMENSION in mm																		WEIGHT	
	DM _A	DN _M	A	B	C	E	F	G	H	I	L	M	N	P	Q	R	S	Z	COMPLETE	PUMP ONLY
PSOM15	65	40	---	548	---	350	---	---	180	205	315	623	230	403	320	123	60	14	118	---
PSO45	80	40	155	740	---	350	150	---	315	205	1050	650	960	450	300	295	85	22	262	155*
PSO50	80	40	155	740	---	350	150	---	315	205	1050	650	960	450	300	295	85	22	270	155*
PSO55	80	40	155	740	---	350	150	---	315	205	1050	650	960	450	300	295	85	22	270	155*
PSO75	80	70	182	780	235	512	150	160	315	240	720	652	570	950	860	153	115	22	415	185*

Approximate dimensions and weight

* Weight for pump without motor, joint and pulleys/belts, base-plate and casing.



PUMP PS075

