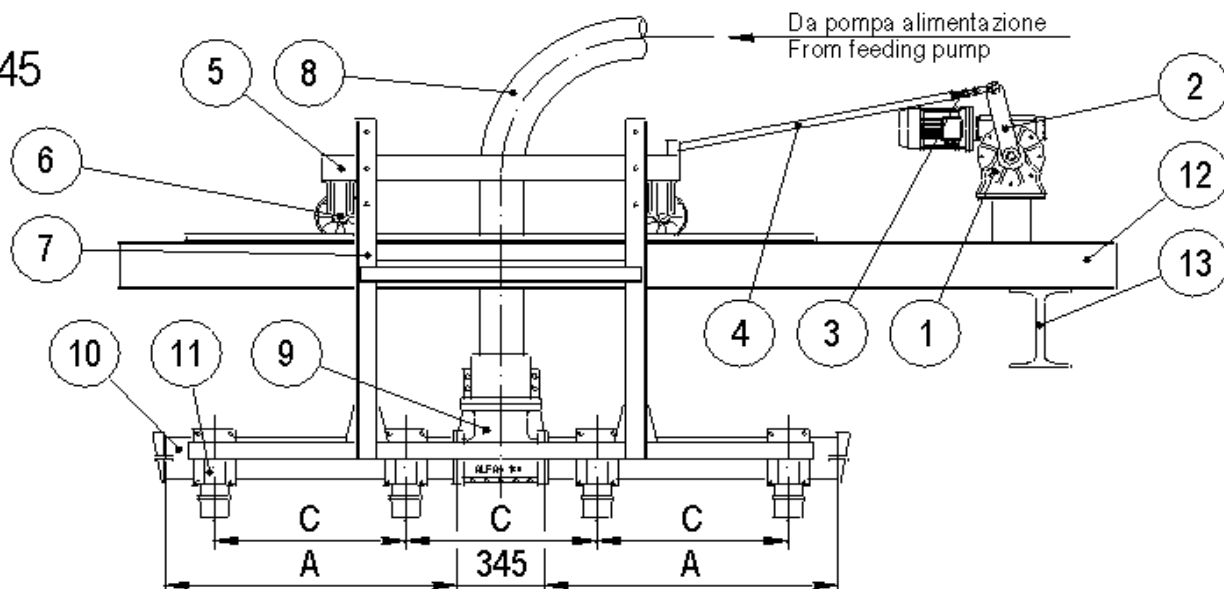
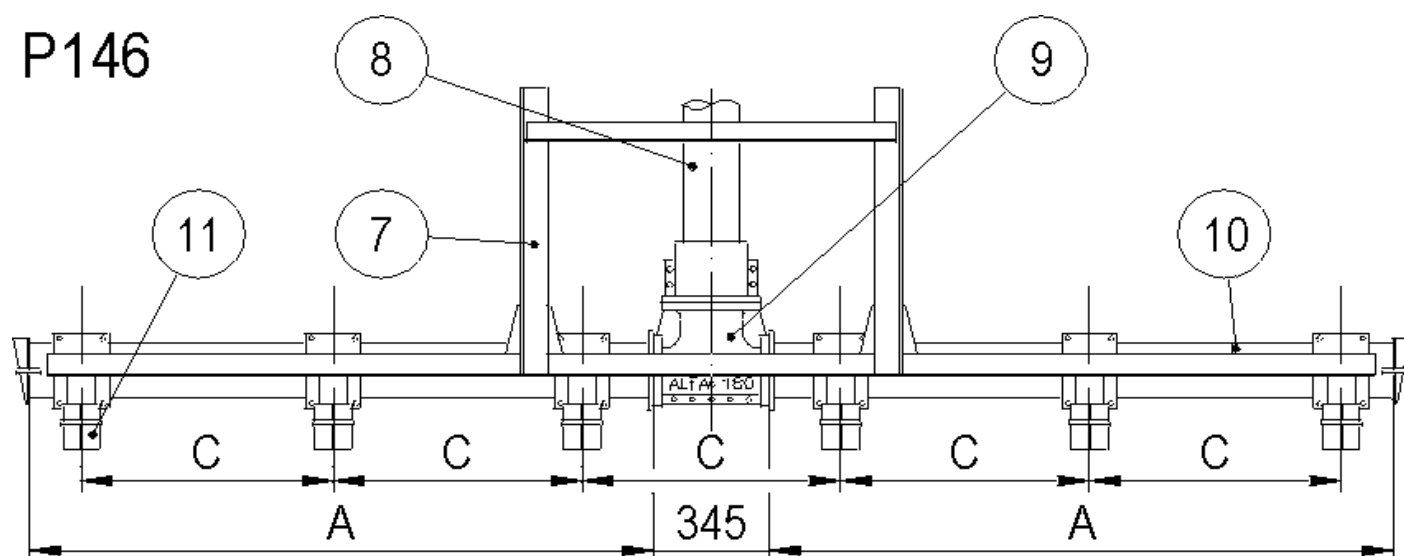


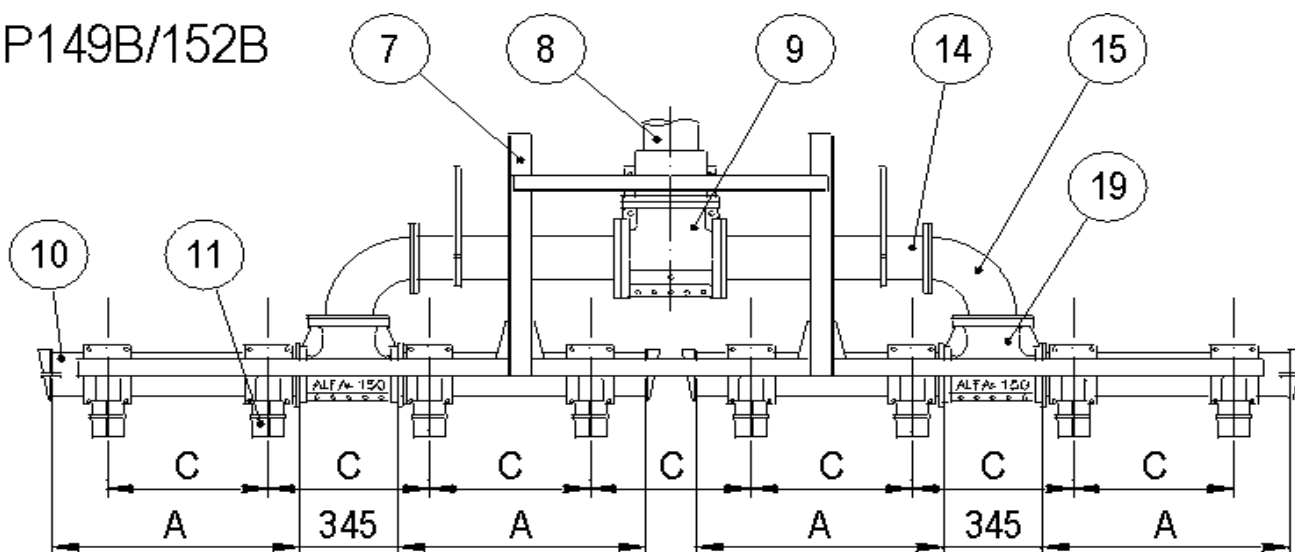
P145



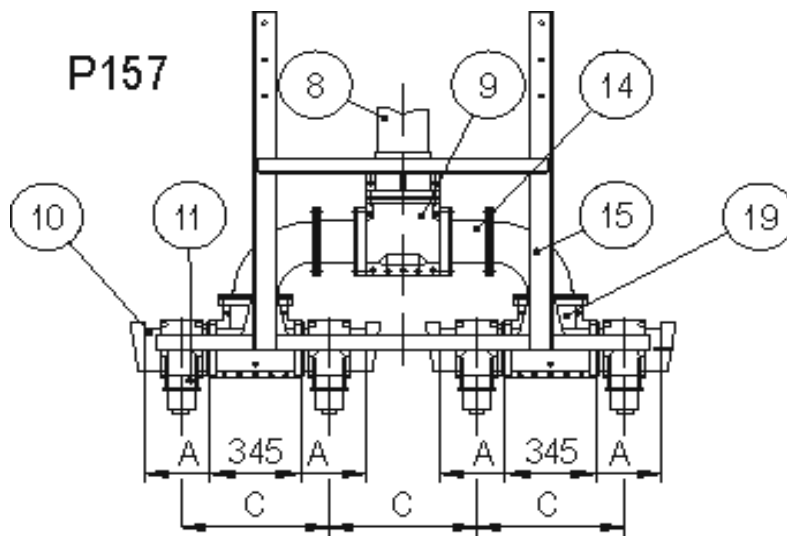
P146



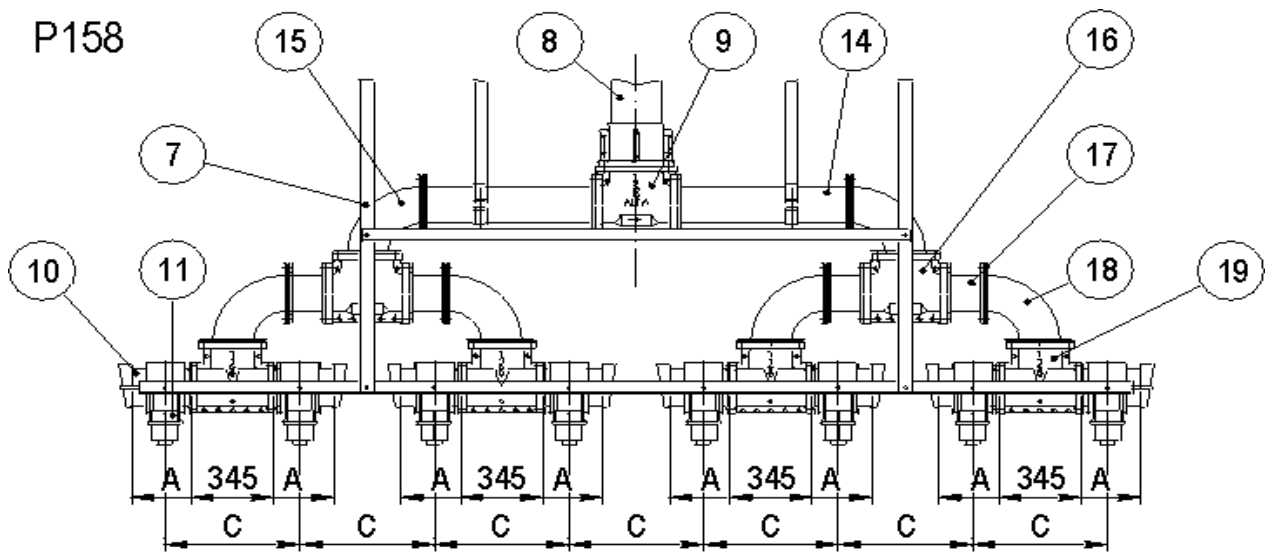
P149B/152B



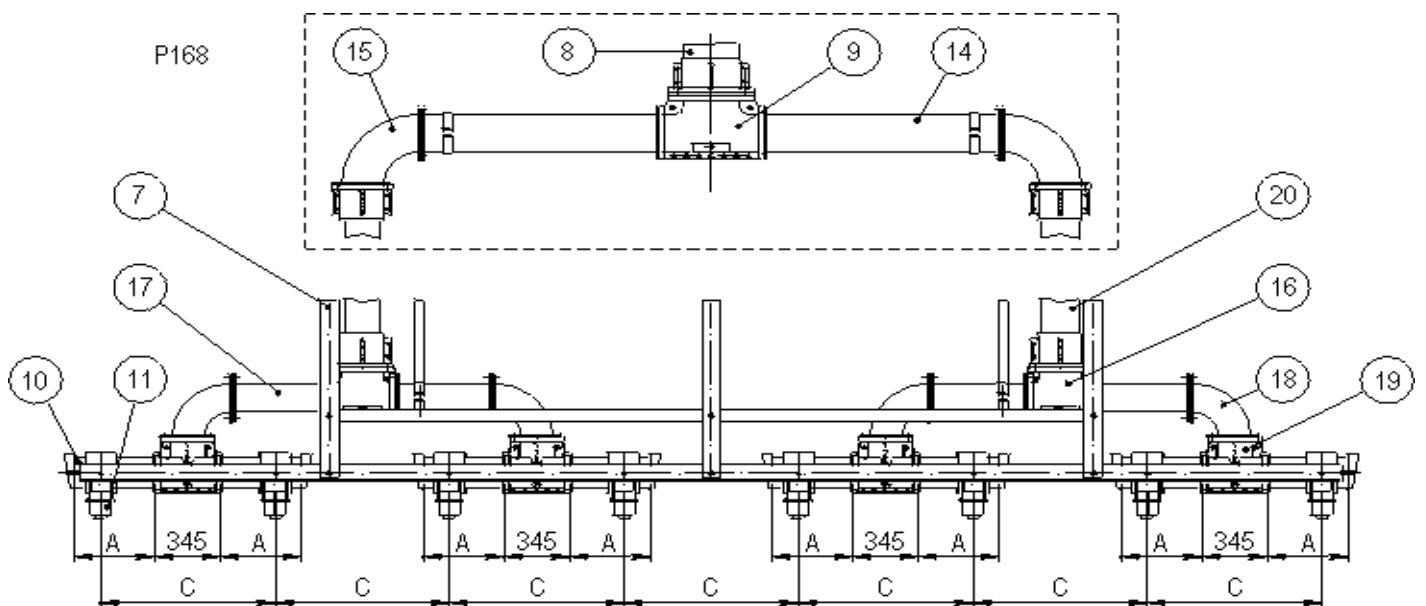
P157

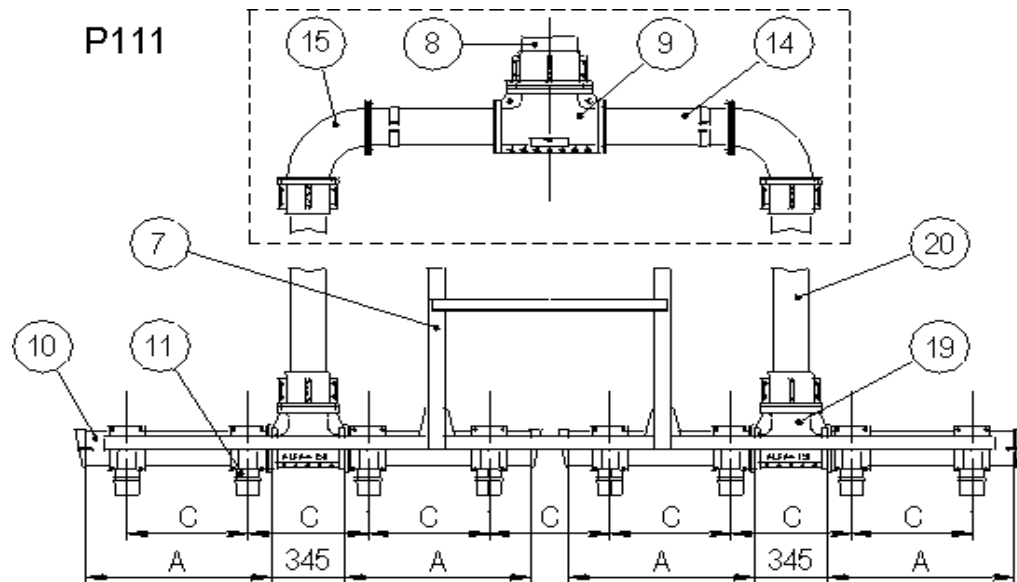


P158



P168





LIST OF PARTICULARS OF RAIN UNIT

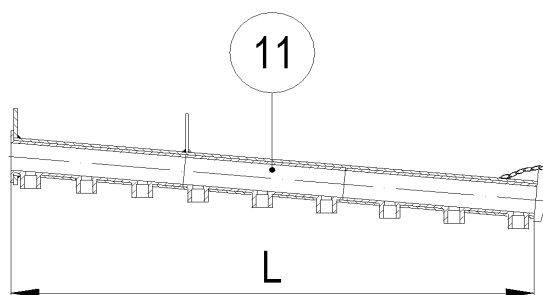
- 1) MOTOR-REDUCER
- 2) CAM
- 3) BALL JOING
- 4) TIE ROD
- 5) CARRIAGE
- 6) WHEEL OF CARRIAGE
- 7) MOUNTING
- 8) MAIN PIPE IN ANTIABRASIVE RUBBER
- 9) MAIN 3-WAYS CONNECTING PIECE IN RUBBER
- 10) HEADER
- 11) RAIN PIPE
- 12) RAILS
- 13) COLUMNS OF GANG-SAW
- 14) MAIN CONNECTING PIPE
- 15) MAIN CONNECTING CURVE
- 16) SECONDARY 3-WAYS CONNECTING PIECE IN RUBBER
- 17) SECONDARY CONNECTING PIPE
- 18) SECONDARY CONNECTING CURVE
- 19) 3-WAYS CONNECING PIECE
- 20) PIPE IN ANTIABRASIVE RUBBER FROM FIX LEVEL TO RAIN UNIT

APPROXIMATE DIMENSIONS in mm																		
WIDTH OF USEFUL CUT OF THE GANGSAW	P145		P146		P149B		P150B		P152B		P157		P158		P168		P111	
	nr. 2 Headers (4 lines)		nr. 2 Headers (6 lines)		nr. 4 Headers (8 lines)		nr. 4 Headers (12 lines)		nr. 4 Headers (8 lines)		nr. 4 Headers (4 lines)		nr. 8 Headers (8 lines)		nr. 8 Headers (8 lines)		nr. 4 Headers (8 lines)	
mt.	A	C	A	C	A	C	A	C	A	C	A	C	A	C	A	C	A	C
2,50	915	625																
2,80	1015	700																
3,00	1115	750																
3,20	1165	800																
3,30	1215	825	1365	550							380	825						
3,40	1265	850	1415	567														
3,50	1265	875	1465	584							410	875						
3,60			1515	600														
3,80	1400	950	1615	634														
4,00			1665	667														
4,20			1745	700														
4,35					815	544												
4,50			1865	750	815	563						250	563					
4,60			1930	767	815	575												
4,70					850	588												
4,80					900	600												
4,90					915	613												
5,00					915	625												
5,10					915	638												
5,30					965	663												
5,50					1015	688												
5,70					1030	713						320	713				1030	713
5,80					1050	725												
5,90					1115	738												
6,00					1115	750												
6,20					1165	775												
6,40									1165	800								
6,50							1365	542										
6,80							1415	567				390	850					
7,00							1465	584										
7,30															420	913		

A = Total length of headers / C = Distance between holes of headers

For not shown executions we are at your complete disposal.

LENGTH OF USEFUL CUT OF THE GANGSAW	LENGTH OF PIPE	WEIGHT
mt.	L	kg
2,50	993	11,5
2,70	1182	13,6
3,00	1346	15,5
3,20 / 3,30	1371	15,8
3,40 / 3,50	1532	17,6
3,60	1671	19,2
3,80	1721	19,8



RAIN PIPE IN ANTIABRASIVE RUBBER