

3-WAYS CONNECTING PIECES - aluminium+rubber

01/2009

CODE	TYPE	A	C	FLANGE			B	FLANGE				H	L	WEIGHT kg
				D	diam.	Holes n°		E	F	diam.	Holes n°			
D3P100	A	100	180	220	14	4	100	180	220	14	4	220	345	8
D3P125	A	125	210	250	14	4	110	180	220	14	4	220	345	9,6
D3P150	A	150	240	285	14	4	110	180	220	14	4	220	345	11,3
D3P170	A	175	270	315	16	8	120	180	220	14	4	220	345	11,8
D3P200	A	200	295	340	16	8	120	180	220	14	4	220	345	11,8
D3P200B	A	200	295	340	16	8	200	295	340	16	8	220	345	28

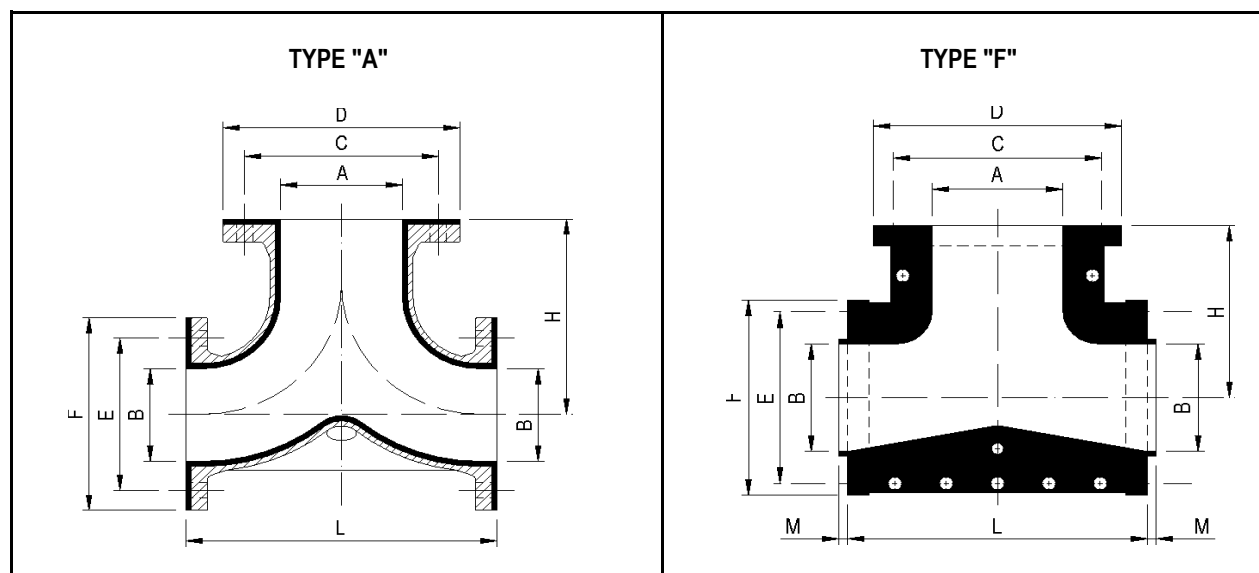
Approximate dimensions and weight

3-WAYS CONNECTING PIECES - in rubber

01/2009

CODE	TYPE	A	C	FLANGE			B	FLANGE				H	L	M	WEIGHT kg
				D	diam.	Holes n°		E	F	diam.	Holes n°				
D3P150R	F	150	240	285	16	4	133	210	239	16	8	210	345	10	13
D3P180R	F	180	270	308	16	8	133	210	239	16	8	213	345	10	15
D3P150A	F	150	240	285	18	4	137	240	285	18	4	200	345	--	15
D3P180A	F	200	270	340	18	8	137	240	285	18	4	180	345	--	16
D3P200A	F	200	295	340	18	8	137	240	285	18	4	180	345	--	16
D3P300	F	305	400	44	24	12	170	270	315	18	8	220	550	--	35

Approximate dimensions and weight



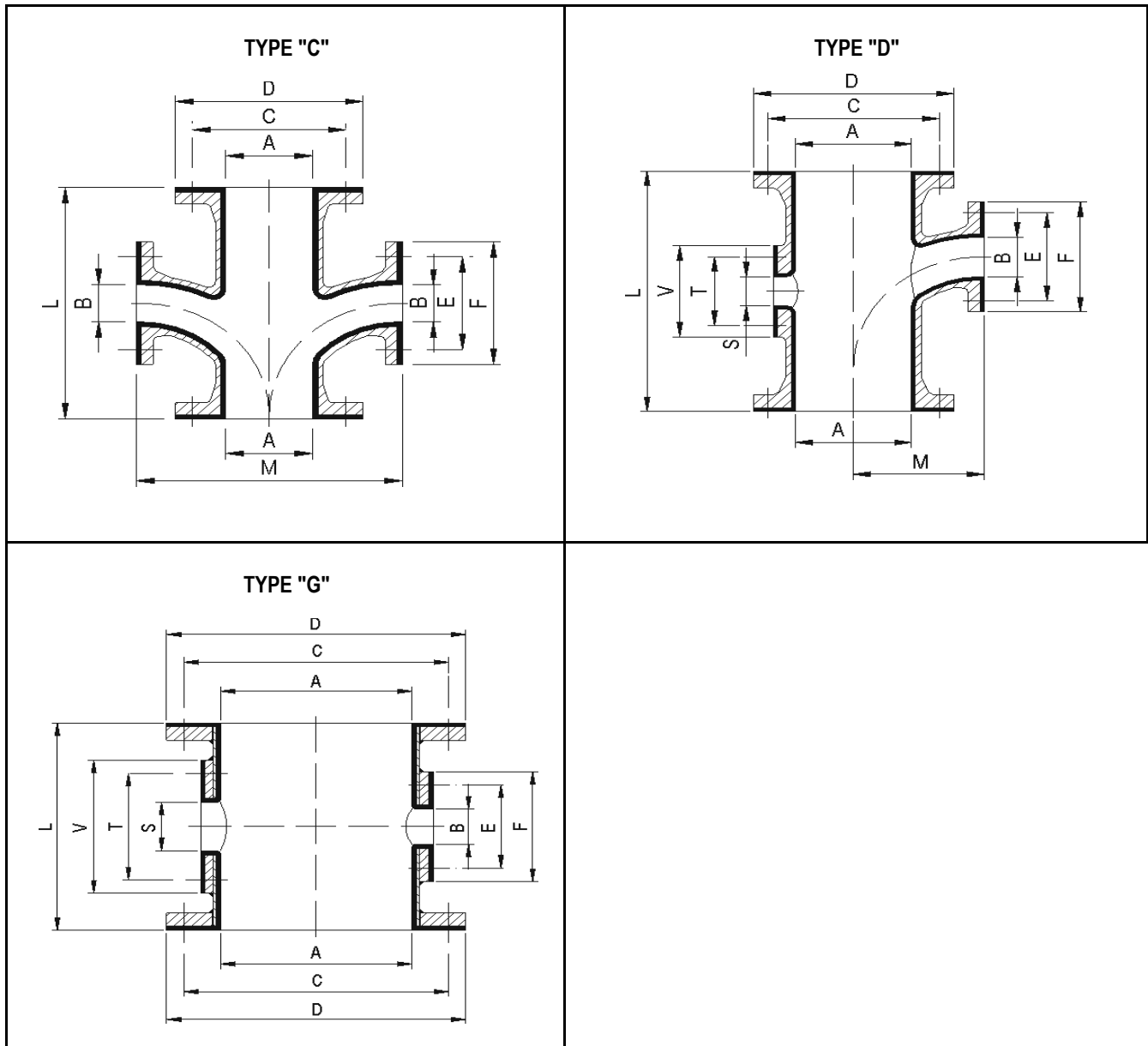


4-WAYS CONNECTING PIECE - aluminium+rubber

01/2009

CODE	TYPE	A	FLANGE				B	E	FLANGIA				S	T	FLANGE				L	M	WEIGHT Kg
			C	D	Holes				F	Holes		V			Holes						
					diam.	n°				diam.	n°				diam.	n°					
D4100	C	100	180	220	14	4	50	125	165	14	4	-	-	-	-	-	315	315	9,2		
D4125	D	125	210	250	16	4	50	125	165	14	4	50	125	165	M12	4	315	150	11		
D4250	G	253	350	395	20	12	73	160	200	M12	4	53	125	165	M12	4	312	307	30		

Approximate dimensions and weight





PIPES FOR SUCTION AND DELIVERY OF ABRASIVE - ACID LIQUIDS

- TUBE** black, smooth; the type of rubber is manufactured depending on the type of liquid that must be conveyed: highly resistant to abrasion or resistant to acids, to chemical products, to sea water and to industrial waters. Anyway rubber is built-in copper cable
- REINFORCEMENT** made in synthetic material with high tenacity and built-in metal spiral to enable the hose to be more flexible without crushing. On request built-in copper cable electrically conductive for static dissipation
- COVERING** in synthetic rubber resisting to the acids, atmospheric agents, ozone and abrasion.

Smooth rubber cover with curing cloth impression texture.

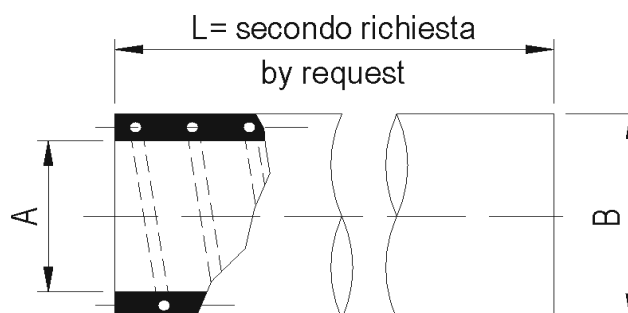
Hoses can be produced from a min inside diameter of 15 mm to a max diameter of 560 mm. Outside diameter and length can vary according to the request. Hoses can be supplied with metal nipples for the end.

Working pressure 3 Bars.

ANTIABRASIVE PIPES

01/2009

CODE	A	B	WEIGHT Kg/mt
TUG 35	35	49	1,3
TUG 60	60	70	1,8
TUG 68	70	80	2,3
TUG 99	101	111,5	3,5
TUG 100	100	130	9,1
TUG 125	127	155	10,5
TUG 150	152	184	12,8
TUG 180	180	205	12,8
TUG 200	203	230	16,4
TUG 250	254	285	22,7
TUG 300	305	336	27,9



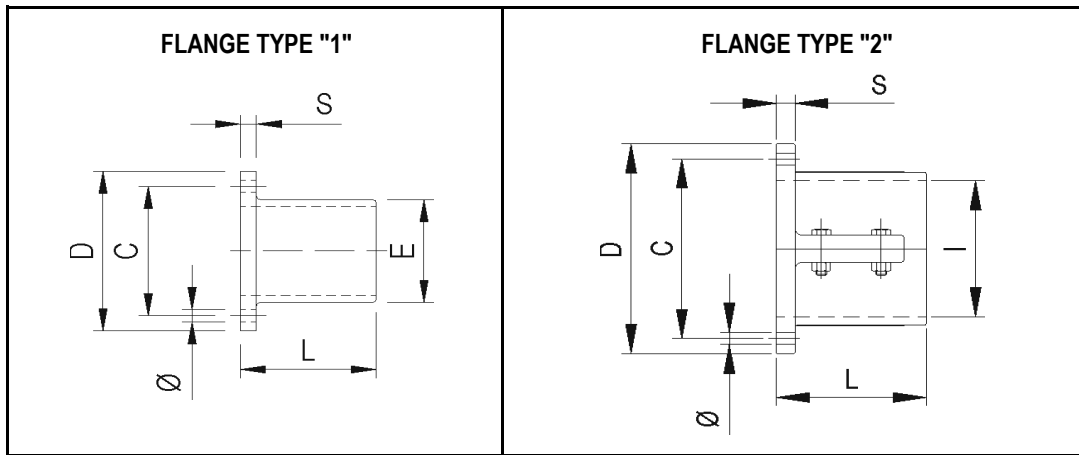
Dimensioni e pesi approssimati

FLANGE for antiabrasive pipes

01/2009

CODICE	TIPO	C	D	E	I	L	S	FORI		PESO kg
								Diam	n°	
FB25	1	85	115	33	-	100	10	14	4	1
FB60	1	125	165	60	-	90	10	14	4	1,9
FB70	1	160	200	70	-	90	10	14	4	3
FB99	1	180	220	100	-	160	10	14	4	3,2
FT100	2	180	220	-	127	155	20	16	4	3,6
FT125	2	210	250	-	154	160	22	18	4	4,4
FT150	2	240	285	-	183	180	22	18	4	6
FT170	2	270	315	-	204	200	25	18	8	8,2
FT200	2	295	340	-	229	200	25	18	8	8,5
FT250	2	350	395	-	284	250	20	20	12	25
FT300	2	400	445	-	335	250	25	22	12	33

Approximate dimensions and weight

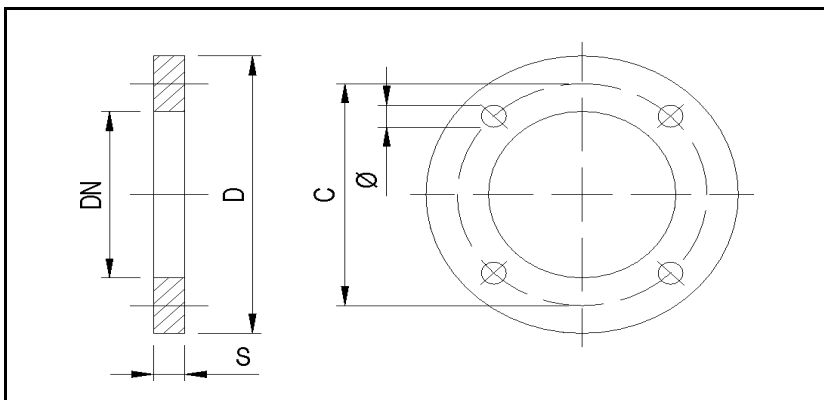


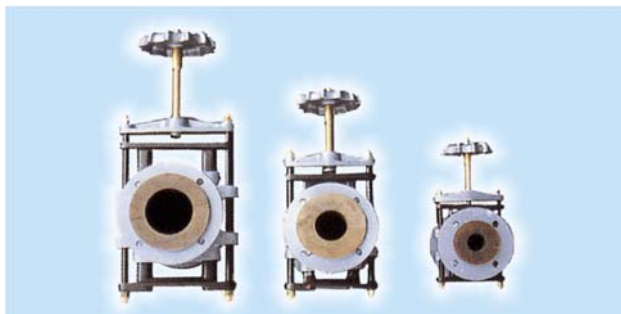
STEEL PIPE

01/2009

CODE	DN	DIMENSIONS in mm					WEIGHT kg
		C	D	S	HOLES		
					diam.	n°	
FA25	25	85	115	10	14	4	0,6
FA50	50	125	165	10	14	4	1,5
FA70	70	160	200	10	14	4	2
FA100	100	180	220	10	14	4	2,2
FA125	125	210	250	10	16	4	2,5
FA150	150	240	285	10	16	4	3,3
FA170	175	270	315	10	16	8	3,8
FA200	200	295	340	10	16	8	4
FA250	250	350	395	20	20	12	14
FA300	300	400	445	20	22	12	17

Approximate dimensions and weight





VALVES WITH MANUAL DRIVING

Valves with manual driving with alluminium body and sleeve in rubber studied for abrasive mixtures. Depending on the inside diameter of the same sleeve they can be realized with outside or inside pincers.

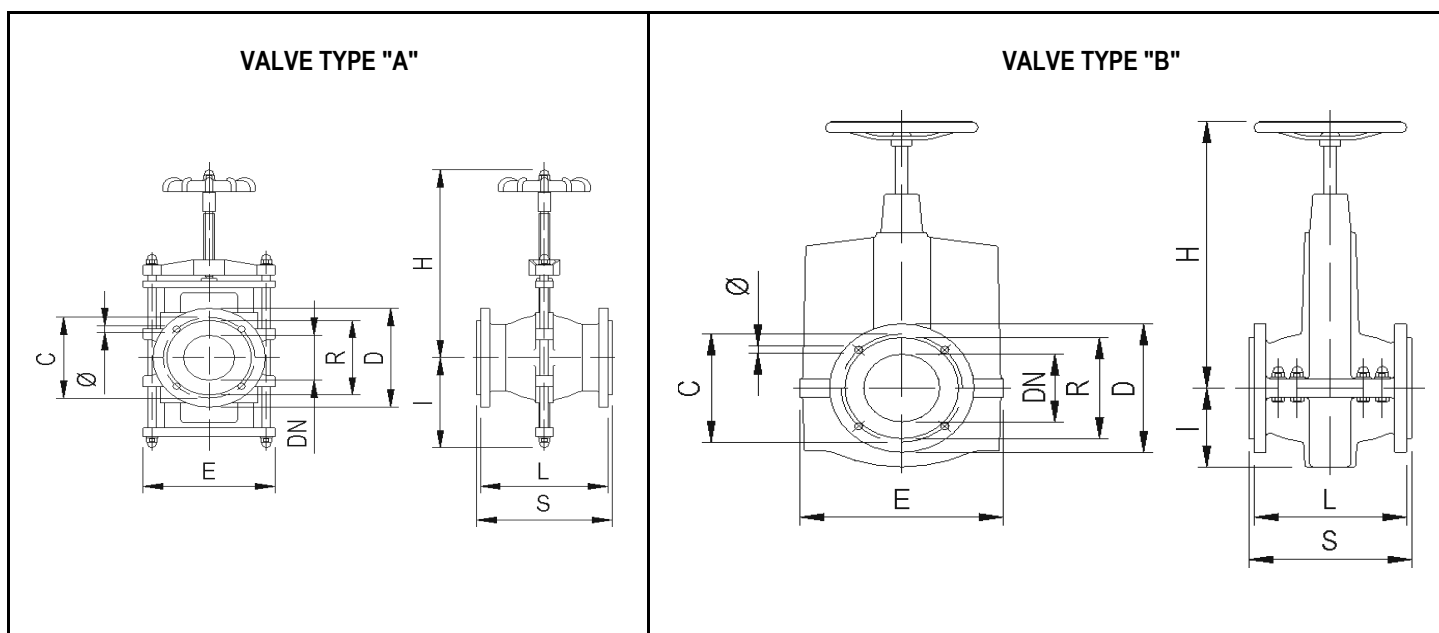
MANUAL VALVES WITH ANTIABRASIVE RUBBER SLEEVE

01/2009

CODE	TYPE	DIMENSIONS - in mm											WEIGHT Kg
		DN	E	H	I	L	R	S	C	FLANGE			
										D	HOLES		
DN	diam.	n°											
V25	B	25	115	147	58	105	60	115	85	115	14	4	2
V40 *	A	40	165	245	105	155	100	172	125	165	14	4	5
V50	A	50	175	261	118	160	110	172	125	165	14	4	5
V70	A	70	204	364	156	190	150	202	160	200	14	4	8
V100	A	100	270	441	200	246	170	269	180	220	14	4	12
V125	B	125	346	410	135	285	190	315	210	250	16	4	27
V150	B	150	400	585	170	300	240	337	240	285	16	4	36
V175	B	175	400	680	180	350	280	385	270	315	16	8	37
V200	B	200	470	750	205	340	300	383	295	340	16	8	49
V250	B	250	625	899	256	500	367	530	350	395	22	12	98

Approximate dimensions and weight

* V40: out of production - only spare parts available





VALVES WITH PNEUMATIC DRIVING

Valves with pneumatic driving (open pressure) with body in alluminium and sleeve in rubber studied for abrasive mixtures. Produced with single or double cylinder; in off position they are closed and the opening happens with the input of air.

VALVES WITH RUBBER SLEEVE SERIES VPA - VPA2

01/2009

CODE	TYPE	DIMENSIONI - in mm											PESO Kg	
		DN	E	H	I	L	S	M	V	FLANGIA				
										C	D	Fori		
		diam.		n.										
VPA25	1C	25	150	265	40	160	170	-	1/4"G	85	115	14	4	5,2
VPA40	1C	40	200	365	75	200	210	-		110	150	18	4	11
VPA50	1C	50	200	380	83	230	240	-		125	165	18	4	12
VPA65	1C	65	200	400	93	290	305	-		145	185	18	4	16
VPA80	1C	80	285	560	180	310	330	-		160	200	18	4	32
VPA280	2C	80	165	-	-	250	270	675		160	200	18	4	28
VPA2100	2C	100	200	-	-	300	320	700		180	220	18	8	30
VPA2125	2C	125	245	-	-	300	320	870		210	250	18	8	47
VPA2150	2C	150	245	-	-	300	320	900		240	285	22	8	55
VPA2200	2C	200	285	-	-	340	360	1030		295	285	22	8	72

Approximate dimensions and weight

The valves series VPA type 1C must be vertically installed on horizontal pipings.

