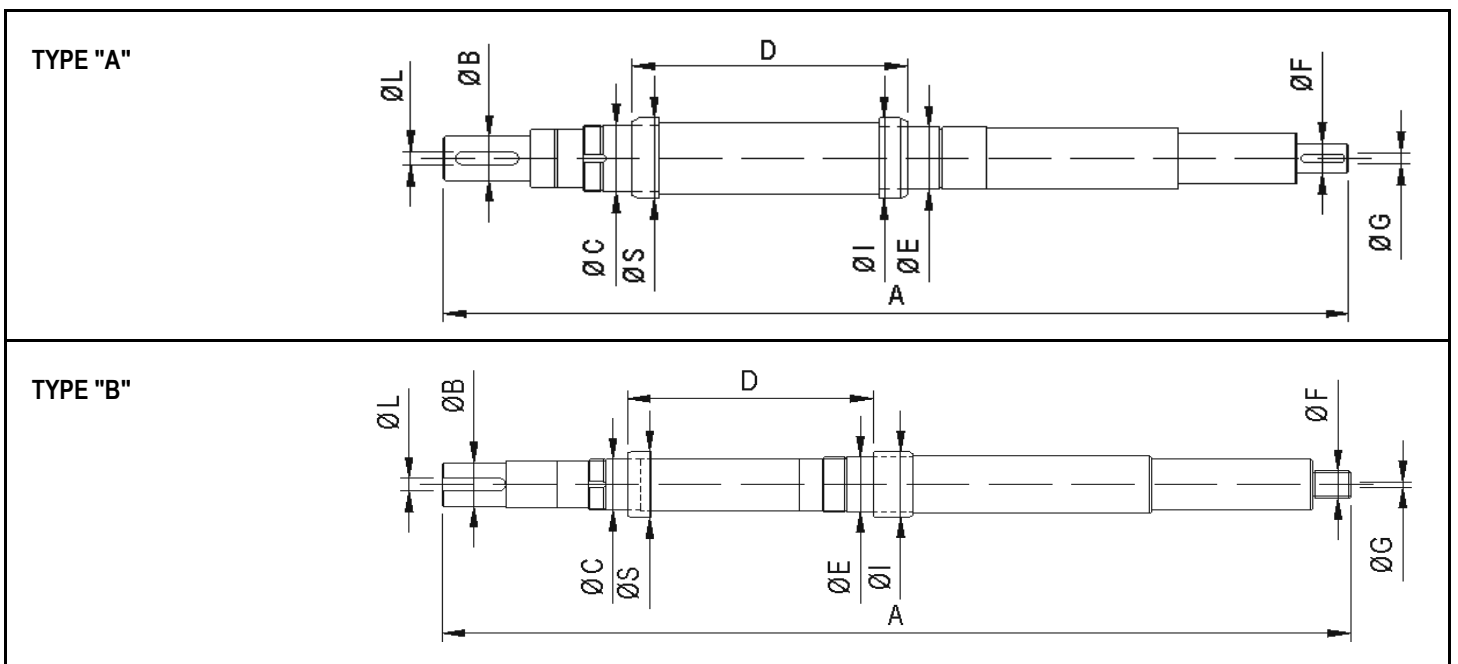


SHAFTS

| PUMP TYPE | CODE | TYPE | DIMENSIONS - in mm | | | | | | | | | | WEIGHT kg |
|-------------------|-----------|------|--------------------|----|----|-----|----|------------|---------|-----|-----|-----|--------------|
| | | | A | B | C | D | E | F | G | I | L | S | |
| PGM29 | 01029K | A | 925 | 30 | 50 | 209 | 50 | 20 | M10 SIX | 63 | - | 64 | 13 |
| PGM45 | 01045K | A | 902 | 30 | 50 | 209 | 50 | M30 SIX | - | 63 | - | 64 | 13,5 |
| PGM-PSV 65-75-75S | 01075K | B | 1440 | 40 | 50 | 577 | 55 | M30 SIX | - | 65 | M14 | 68 | 28 |
| PGM-PSV 100 | 010100K | B | 1902 | 60 | 70 | 651 | 75 | M38 SIX | - | 90 | M16 | 90 | 63 |
| PGM101 | 010101K | A | 1902 | 60 | 70 | 605 | 85 | M38 SIX | - | 110 | M16 | 110 | 82 |
| PGM-PSV 121 | 010120K | B | 1841 | 60 | 70 | 651 | 75 | 40 | M16 SIX | 90 | M16 | 90 | 60 |
| PGM 122-123-125 | 010125K | A | 1841 | 60 | 90 | 605 | 85 | 40 | M16 SIX | 110 | M16 | 110 | 80 |
| PSV 123-125 | 010125VK | A | | | | | | | | | | 115 | |
| PGM 160 | 010160K | A | 1865 | 60 | 90 | 605 | 85 | 40 | M16 SIX | 110 | M16 | 110 | 81 |
| PSV 160 | 010160VK | A | | | | | | | | | | 115 | |
| PGM 158-168 | 010128K | A | 1855 | 60 | 90 | 605 | 85 | 40 | M16 SIX | 110 | M16 | 110 | 81 |
| PSV 158-168 | 010128VK | A | | | | | | | | | | 115 | |
| PGM 168S-188 | 010168SK | A | 1845 | 60 | 90 | 605 | 85 | 50 | M16 SIX | 110 | M16 | 110 | 81 |
| PSV 168S-188 | 010168SVK | A | | | | | | | | | | 115 | |
| PGM 178-198 | 010178K | A | 1850 | 65 | 95 | 600 | 95 | 50 | M16 SIX | 125 | M16 | 115 | 92 |
| PGM 200 | 010200K | A | 1865 | 65 | 95 | 600 | 95 | 40 | M16 SIX | 125 | M16 | 115 | 92 |
| PSV 200 | 010200VK | A | | | | | | | | 115 | | 125 | |
| PRD40 | 01040K | A | 1010 | 30 | 50 | 209 | 50 | M20x1,25SX | - | - | - | 64 | 15 |
| PRD80 | 01080K | A | 1685 | 40 | 50 | 539 | 65 | M24 | - | 76 | - | 68 | 42 |
| PSO45-50-55 | 010045K | A | 773,5 | 40 | 55 | 215 | 60 | 20 | M10 | 70 | - | 70 | 12 |
| PSO75 | 010075K | A | 822 | 40 | 55 | 215 | 60 | 35 | M12 | 70 | M12 | 70 | 14 |

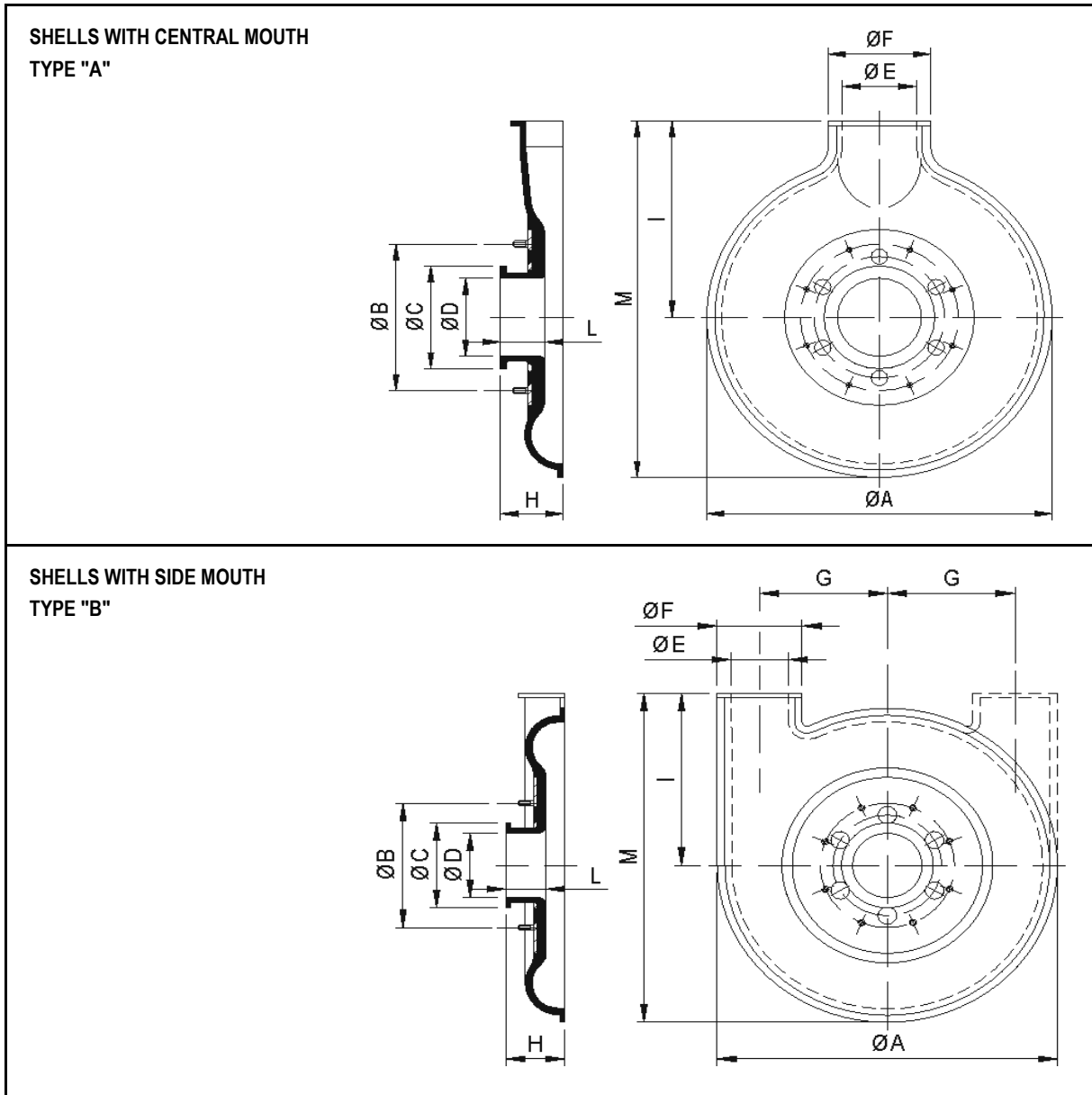
Approximate weight and dimensions



SHELLS IN ANTIABRASIVE COMPOUND

| PUMP TYPE PGM-PSV | CODE | TYPE | DIMENSIONS in mm | | | | | | | | | | | WEIGHT kg |
|----------------------|--------|------|------------------|-----|-----|-----|-----|-----|-----|------|-----|------|-----|--------------|
| | | | A | B | C | D | E | F | G | H | I | L | M | |
| 45 | 00355 | A | 289 | 145 | 100 | 65 | 40 | 80 | - | 64 | 208 | 37,5 | 352 | 1,8 |
| 65 | 00365 | B | 353 | 230 | 125 | 90 | 65 | 120 | 110 | 94,5 | 252 | 64,5 | 429 | 5,1 |
| | 00865 | | 353 | 230 | 115 | 82 | 65 | 120 | 110 | 105 | 252 | 74 | 429 | 5,2 |
| 75-75S | 00375 | B | 450 | 232 | 118 | 90 | 70 | 130 | 160 | 90 | 242 | 63 | 467 | 6,2 |
| | 00875 | | 450 | 250 | 120 | 100 | 70 | 130 | 160 | 95 | 242 | 59 | 467 | 6,9 |
| 100-101 | 003100 | B | 648 | 290 | 156 | 125 | 100 | 150 | 250 | 116 | 322 | 86,5 | 646 | 15,5 |
| | 008100 | | 648 | 290 | 137 | 100 | 100 | 150 | 250 | 191 | 322 | 145 | 646 | 15 |
| 121-122-123-125 | 003125 | B | 733 | 290 | 198 | 150 | 125 | 183 | 275 | 116 | 402 | 83,5 | 769 | 15,5 |
| | 008125 | | 733 | 290 | 140 | 100 | 125 | 183 | 275 | 138 | 402 | 94,5 | 769 | 16,7 |
| 158-168-168S-178 | 003128 | A | 818 | 375 | 263 | 200 | 175 | 243 | - | 149 | 502 | 93 | 911 | 20 |
| 188-198 | 003198 | B | 848 | 375 | 263 | 200 | 185 | 253 | 301 | 149 | 467 | 86,5 | 891 | 22 |
| | 008198 | | 848 | 375 | 236 | 173 | 185 | 253 | 301 | 149 | 467 | 91 | 891 | 23 |
| 160-200 | 003200 | A | 818 | 375 | 263 | 200 | 175 | 243 | - | 149 | 502 | 103 | 911 | 22,4 |

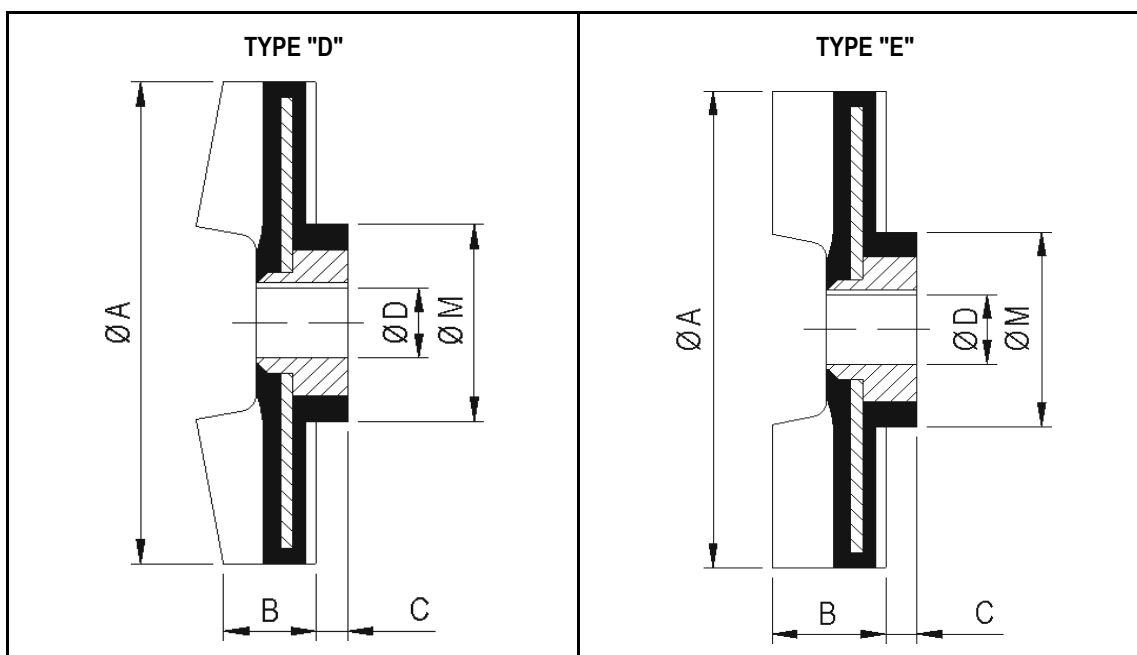
Dimensioni e pesi approssimati - Approximate weight and dimensions



IMPELLERS FOR SUBMERGIBLE PUMPS

| PUMP TYPE | C O D E | TYPE | DIMENSIONS - in mm | | | | | WEIGHT kg |
|-----------|--------------|------|--------------------|----|----|----|----|--------------|
| | | | A | B | C | D | M | |
| 45 | 006SM045 | E | 165 | 47 | 14 | 20 | 64 | 1,7 |
| 50 | 006SM050 | E | 180 | 47 | 14 | 20 | 64 | 1,9 |
| 75/220 | 006SM75/220 | D | 220 | 46 | 15 | 35 | 98 | 3,3 |
| 75 | 006SM75 | D | 240 | 44 | 15 | 35 | 98 | 3,9 |
| 75S | 006SM75S | D | 265 | 43 | 15 | 35 | 98 | 4,5 |
| 100/325 | 006SM100/325 | D | 325 | 57 | 19 | 40 | 98 | 7,9 |
| 100/345 | 006SM100/345 | D | 345 | 56 | 19 | 40 | 98 | 9,4 |

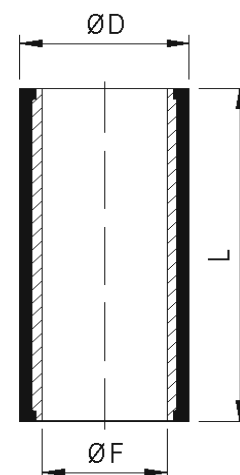
Approximate dimensions and weight



RUBBER BUSHES

| PUMP TYPE PGM - PSV | C O D E | DIMENSIONS - in mm | | | WEIGHT kg |
|--------------------------------------------------------------|---------|--------------------|----|-----|--------------|
| | | D | F | L | |
| 29-PS32 | 01529 | 48 | 28 | 71 | 0,25 |
| 45 | 01545 | 62 | 40 | 81 | 0,40 |
| 65 | 01565 | 79 | 58 | 107 | 0,80 |
| 75-75S | 01575 | 97 | 58 | 107 | 1,10 |
| 100-101-121-122-123-125-158- 160-168-168S-178-188-198-200 | 015100 | 95 | 70 | 201 | 2,35 |
| PRD40-45 | 01540 | 40 | 28 | 51 | 0,20 |

Approximate dimensions and weight

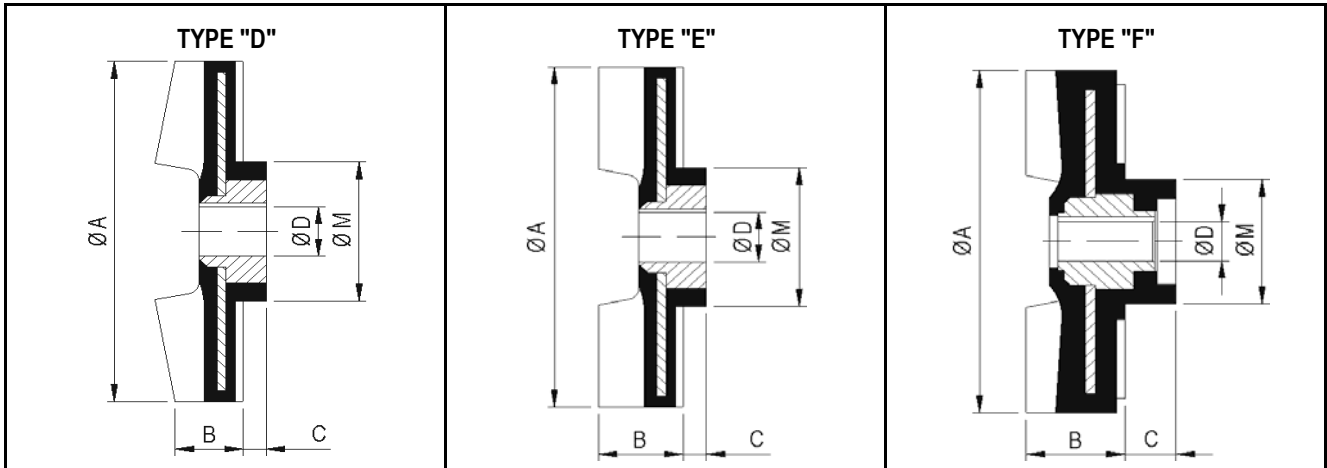


IMPELLERS FOR PUMPS PSO



| PUMP TYPE | CODE | TYPE | DIMENSIONS - in mm | | | | | WEIGHT |
|-----------|--------|------|--------------------|----|----|----|----|--------|
| | | | A | B | C | D | M | kg |
| M15 | 006M15 | F | 176 | 47 | 24 | 20 | 64 | 2 |
| 45 | 006045 | E | 165 | 47 | 14 | 20 | 64 | 1,7 |
| 50-55 | 006050 | E | 180 | 47 | 14 | 20 | 64 | 1,9 |
| 75 | 006075 | D | 240 | 42 | 17 | 35 | 98 | 3,8 |

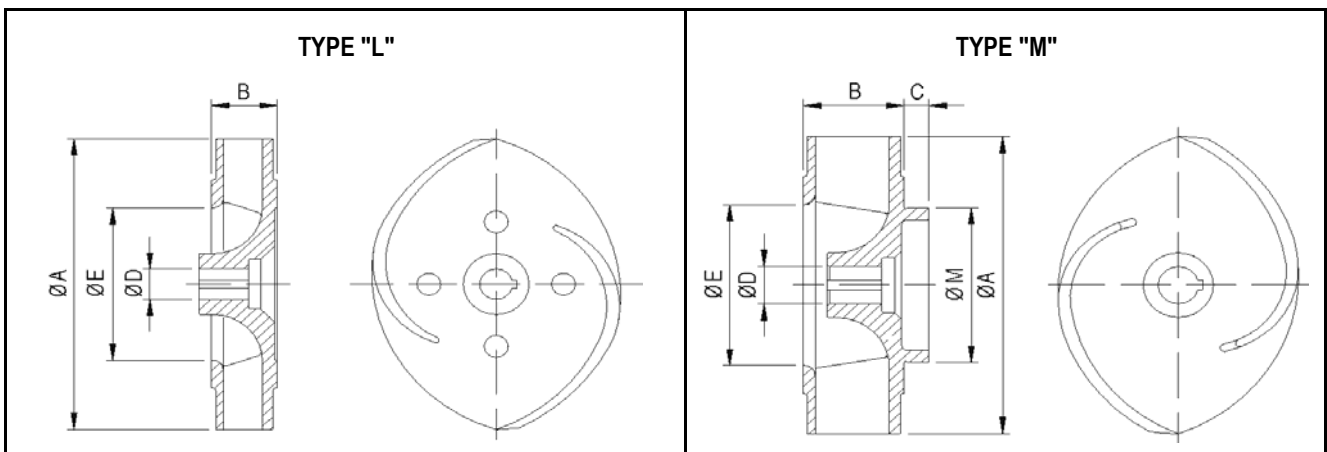
Approximate dimensions and weight



IMPELLERS FOR PUMPS PRD

| PUMP TYPE | CODE | TYPE | DIMENSIONS - in mm | | | | | | WEIGHT |
|-------------|---------|------|--------------------|----|----|----|-----|-----|--------|
| | | | A | B | C | D | E | M | kg |
| 40-45 | 00640 | L | 210 | 44 | -- | 22 | 110 | -- | 3 |
| 40-45 Hz.60 | 0064060 | L | 185 | 44 | -- | 22 | 110 | -- | 2,2 |
| 80-85 | 00680 | M | 240 | 75 | 18 | 30 | 130 | 125 | 6,2 |
| 80-85 Hz.60 | 0068060 | M | 210 | 75 | 18 | 30 | 130 | 125 | 4,8 |

Approximate dimensions and weight





IMPELLERS

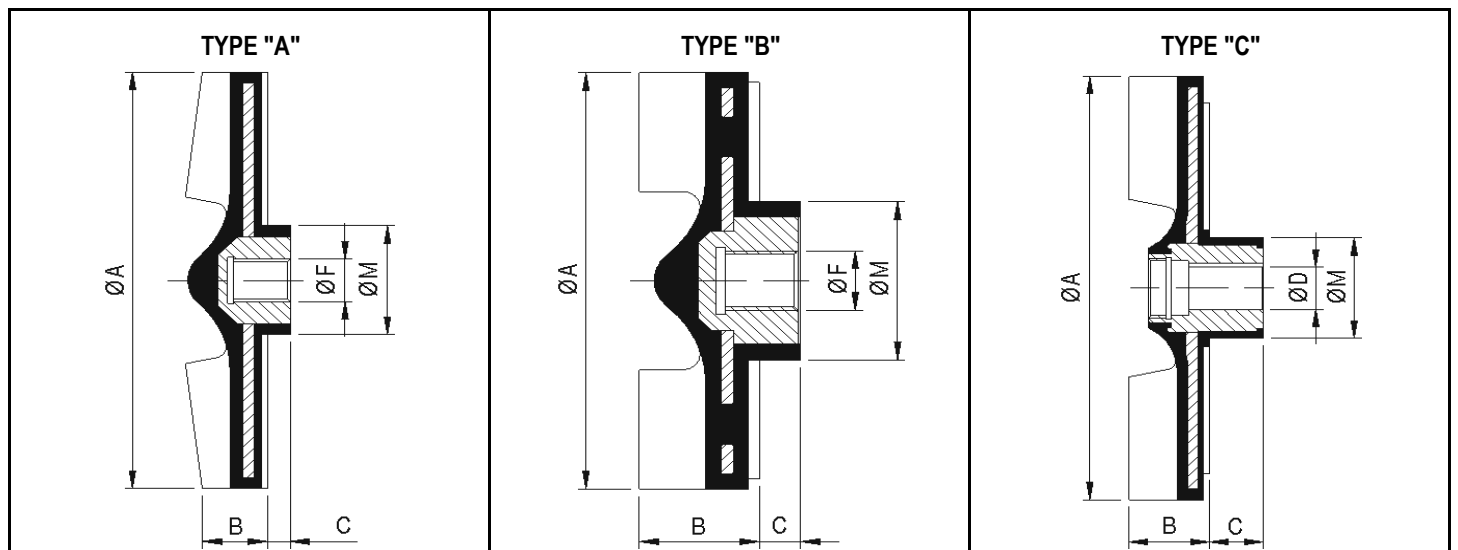
open type anti-clogging, made of a stainless steel core outside lined with special antiabrasive compound (excluding type PRD - realized in spheroidal cast-iron).



IMPELLERS FOR PUMPS PGM-PSV

| PUMP TYPE | CODE | TYPE | DIMENSIONS - in mm | | | | | | WEIGHT kg |
|-----------|-------------|------|--------------------|-----|----|----|--------------|-----|--------------|
| | | | A | B | C | D | F | M | |
| 29 | 00629 | C | 135 | 38 | 15 | 20 | - | 48 | 1 |
| PS32 | 00632 | C | 160 | 38 | 15 | 20 | - | 48 | 1,4 |
| PS40 | 00640C | B | 165 | 48 | 15 | - | 26 (M30 SIX) | 64 | 1,7 |
| 45 | 00645 | B | 180 | 48 | 15 | - | 26 (M30 SIX) | 64 | 1,8 |
| 65 | 00665 | B | 210 | 56 | 18 | - | 26 (M30 SIX) | 80 | 3,5 |
| 75 | 00675 | A | 240 | 44 | 15 | - | 26 (M30 SIX) | 98 | 4 |
| 75S | 00675S | A | 265 | 43 | 15 | - | 26 (M30 SIX) | 98 | 4,7 |
| 100-101 | 006100 | A | 375 | 54 | 19 | - | 33 (M38 SIX) | 98 | 12 |
| 100-Hz.60 | 00610060 | A | 325 | 57 | 19 | - | 33 (M38 SIX) | 98 | 9,1 |
| 121-122 | 006121 | C | 360 | 70 | 47 | 40 | - | 95 | 12 |
| 121 Hz.60 | 00612160 | C | 320 | 70 | 47 | 40 | - | 95 | 9,5 |
| 123 | 006123 | C | 380 | 70 | 47 | 40 | - | 95 | 13 |
| 125 | 006125 | C | 400 | 70 | 47 | 40 | - | 95 | 14 |
| 125 Hz.60 | 00612560 | C | 345 | 70 | 47 | 40 | - | 95 | 10,9 |
| 158 | 006128 | C | 440 | 105 | 58 | 40 | - | 190 | 23 |
| 160 | 006160 | C | 390 | 85 | 68 | 40 | - | 195 | 20 |
| 168 | 006168 | C | 465 | 105 | 58 | 40 | - | 190 | 27 |
| 168S | 006168S | C | 465 | 105 | 68 | 50 | - | 190 | 28 |
| | 006168S/455 | | 455 | | | | - | | 27 |
| 178 | 006178 | C | 475 | 105 | 68 | 50 | - | 190 | 30 |
| 188 | 006198/435 | C | 435 | 112 | 68 | 50 | - | 168 | 28 |
| 198 | 006198/460 | C | 460 | 112 | 68 | 50 | - | 168 | 31 |
| | 006198/470 | | 470 | | | | - | | 32 |
| | 006198 | | 480 | | | | - | | 33 |
| 200 | 006200 | C | 415 | 85 | 68 | 40 | - | 195 | 21 |

Approximate dimensions and weight





DELIVERY CURVE

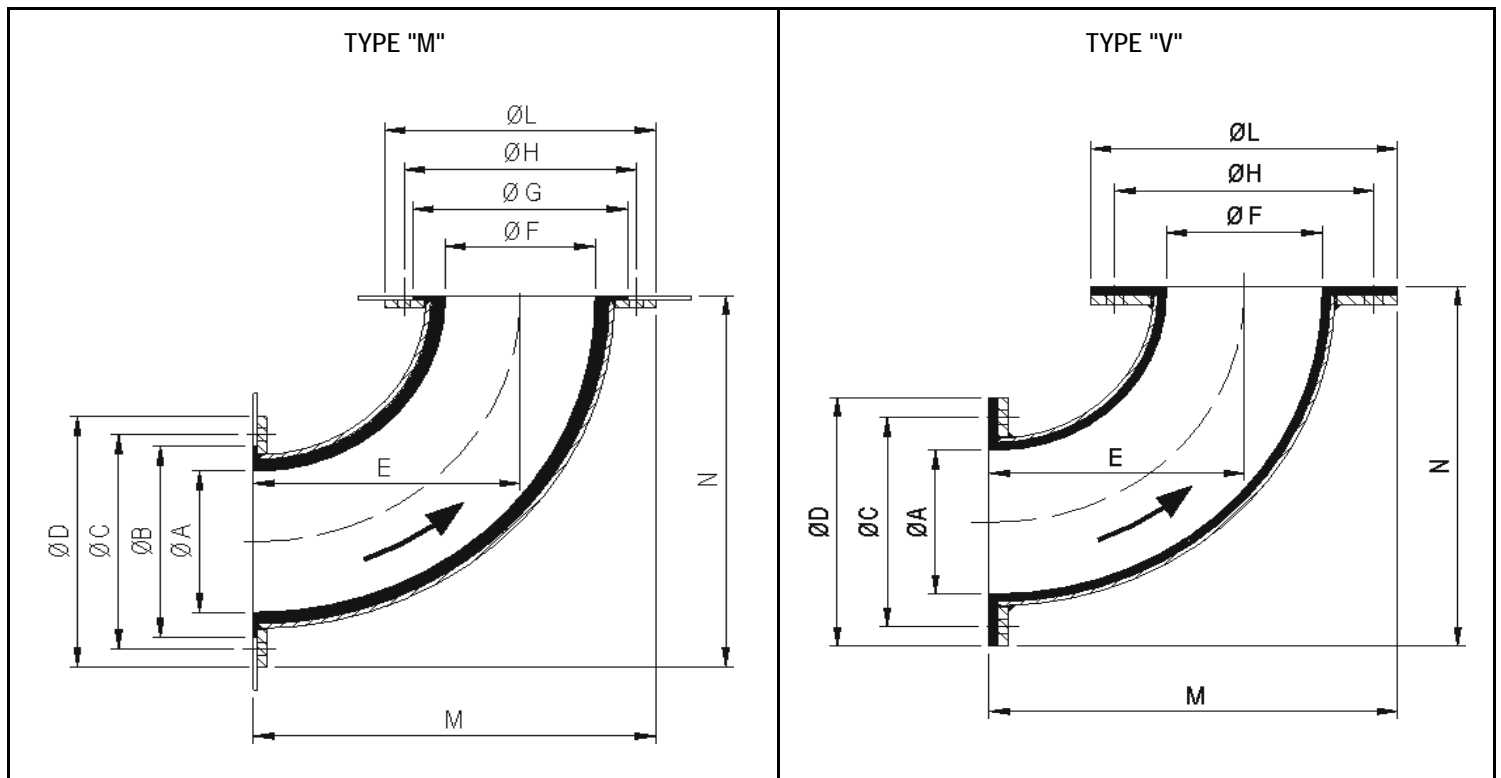
with interchangeable rubber sleeve or with vulcanised rubber for the connection of the pump to the delivery pipe.



| PUMP TYPE PGM-PSV | CURVE | TYPE | DIMENSIONI in mm | | | | | | | | | | | | | | | WEIGHT kg |
|----------------------|-----------|------|------------------|-----|-----|--------------|-------|-----|-----|-----|-----|-----|--------------|-------|-----|-------|-------|--------------|
| | | | A | B | C | FLANGE HOLES | | D | E | F | G | H | FLANGE HOLES | | L | M | N | |
| | | | | | | N° | DIAM. | | | | | | N° | DIAM. | | | | |
| 29-45 | 04029R * | M | 45 | 90 | 110 | 4 | 14 | 150 | 165 | 50 | 100 | 125 | 4 | 14 | 165 | 247,5 | 240 | 4,3 |
| 65 | 04065A | V | 70 | -- | 145 | 4 | 14 | 185 | 120 | 70 | -- | 160 | 4 | 14 | 200 | 220 | 212,5 | 5,2 |
| 75 | 04075R * | M | 100 | 147 | 165 | 6 | 14 | 200 | 187 | 100 | 160 | 180 | 4 | 14 | 220 | 296 | 286 | 7,5 |
| 100-101 | 040100R * | M | 100 | 147 | 180 | 6 | 14 | 220 | 187 | 100 | 160 | 180 | 4 | 14 | 220 | 296 | 296 | 9,4 |
| 121-122 | 040125A | V | 120 | --- | 210 | 8 | 14 | 250 | 196 | 120 | --- | 210 | 4 | 16 | 250 | 321 | 321 | 13,0 |
| 123 | 040150R * | M | 145 | 185 | 210 | 8 | 14 | 250 | 234 | 145 | 210 | 240 | 4 | 16 | 285 | 376 | 358,5 | 14,0 |
| | 040150A | V | 145 | --- | | | | | 237 | 145 | --- | | | | | 379 | 361,5 | 14,0 |
| 125 | 040180R * | M | 145 | 185 | 210 | 8 | 14 | 250 | 234 | 145 | 210 | 270 | 8 | 16 | 315 | 391 | 358,5 | 15,0 |
| | 040180A | V | 145 | --- | | | | | 237 | 145 | --- | | | | | 394 | 361,5 | 15,0 |
| 158-160 168-168S | 040160R * | M | 178 | 240 | 270 | 8 | 16 | 315 | 310 | 174 | 250 | 270 | 8 | 16 | 315 | 467,5 | 467,5 | 26,0 |
| | 040160 | V | 170 | --- | | | | | 278 | 170 | --- | | | | | 435,5 | 435,5 | 26,0 |
| 178-188-200 | 040200R * | M | 178 | 240 | 270 | 8 | 16 | 315 | 310 | 174 | 250 | 295 | 8 | 16 | 340 | 480 | 467,5 | 27,0 |
| | 040200 | V | 190 | --- | | | | | 313 | 190 | --- | | | | | 483 | 470,5 | 27,0 |
| 198 | 040198 | V | 190 | --- | 295 | 8 | 16 | 340 | 313 | 190 | --- | 295 | 8 | 16 | 340 | 483 | 483 | 28,0 |
| | 040198R * | M | 196 | 270 | | | | | 310 | 196 | 270 | | | | | 480 | 480 | 30,0 |

Approximate weight and dimensions

* = curves with interchangeable rubber sleeve



VULCANISED BODIES

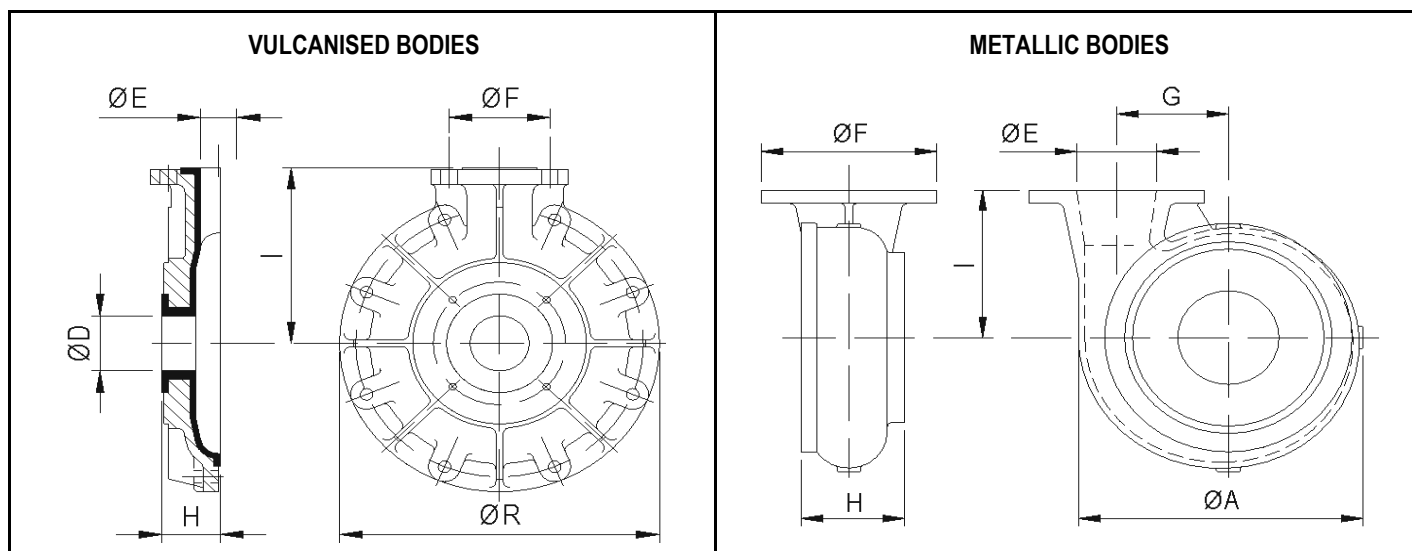
| PUMP TYPE | CODE | DIMENSIONS - in mm | | | | | | | | | WEIGHT kg |
|--------------|--------|--------------------|----|----|----|-----------------|-----|----|-----|-----|--------------|
| | | A | D | E | N° | FLANGE DIAM. | F | H | I | T | |
| PGM29-PS32 | 00229 | 275 | 50 | 40 | 4 | 14 | 110 | 64 | 161 | 14 | 11,5 |
| PGM45 | 00245 | 350 | 65 | 40 | 4 | M12 | 110 | 62 | 206 | M12 | 16,2 |
| PSO45-50-M15 | 002045 | 350 | 65 | 40 | 4 | M16 | 110 | 62 | 206 | M16 | 16,2 |

Approximate dimensions and weight

METALLIC BODIES

| PUMP TYPE PRD | CODE | DIMENSIONS - in mm | | | | | | WEIGHT kg |
|------------------|-------|--------------------|-----|-----|-----|-----|-----|--------------|
| | | A | E | F | G | H | I | |
| 40-45 | 00540 | 280 | 50 | 140 | 110 | 86 | 160 | 11,5 |
| 80-85 | 00580 | 365 | 100 | 220 | 140 | 130 | 200 | 26,0 |

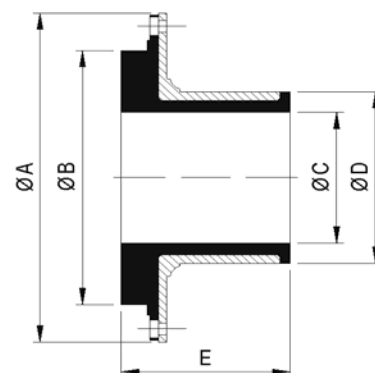
Approximate dimensions and weight



INTERMEDIATE FLANGES

| PUMP TYPE PGM - PSV | CODE | DIMENSIONS - in mm | | | | | WEIGHT kg |
|------------------------------|--------|--------------------|-----|----|-----|-----|--------------|
| | | A | B | C | D | E | |
| 158-160-168-168S- 178-200 | 070200 | 250 | 193 | 99 | 130 | 118 | 4,2 |
| 188-198 | 070198 | 250 | 168 | 99 | 130 | 118 | 4 |

Approximate dimensions and weight





BODY IN CAST-IRON DIVIDED IN TWO HALVES

moulded in antiabrasive compound on metallic core,
interchangeable and adjustable from outside as per our patented
system



BODIES IN TWO HALVES

10/2011

| PUMP TYPE PGM-PSV | CODE | TYPE | DIMENSIONS - in mm | | | | | | | | | | | WEIGHT kg |
|----------------------|--------|------|--------------------|-----------------|-----|-------|-----|-----|-----|-------|-----|-----|-----|--------------|
| | | | N° | FLANGE DIAM. | N | O | P | Q | R | S | T | U | V | |
| PSO45 | 002055 | A | 4 | M16 | 110 | 39,5 | 150 | 205 | 350 | 60 | 85 | - | 380 | 13 |
| 45 | 00255 | A | 4 | M12 | 110 | 39,5 | 150 | 205 | 350 | 60 | 85 | - | 380 | 13 |
| 65 | 00265 | B | 4 | M12 | 145 | 58 | 185 | 250 | 410 | 91 | 108 | 110 | 450 | 22 |
| | 60 | | | | | 102 | | | | 100 | | | | |
| 75-75S | 00275 | B | 6 | M12 | 165 | 48 | 200 | 240 | 512 | 87 | 110 | 160 | 496 | 27 |
| | 61 | | | | | 92 | | | | 120 | | | | |
| PSO75 | 002075 | B | 4 | M16 | 160 | 48 | 200 | 240 | 512 | 87 | 110 | 160 | 496 | 27 |
| | 61 | | | | | 92 | | | | 120 | | | | |
| 100-101 | 002100 | B | 6 | M12 | 180 | 54 | 220 | 320 | 720 | 111 | 146 | 340 | 680 | 59 |
| | 73 | | | | | 189 | | | | 121 | | | | |
| 121-122-123-125 | 002125 | B | 8 | M12 | 210 | 58,5 | 250 | 400 | 800 | 112,5 | 175 | 275 | 800 | 81 |
| | 69 | | | | | 136 | | | | 122 | | | | |
| 158 | 002128 | A | 8 | M14 | 270 | 86,5 | 315 | 500 | 900 | 145,5 | 227 | - | 950 | 117 |
| 160-200 | 002200 | A | 8 | M14 | 270 | 74,5 | 315 | 500 | 900 | 145,5 | 227 | - | 950 | 137 |
| 168-168S-178 | 002128 | A | 8 | M14 | 270 | 86,5 | 315 | 500 | 900 | 145,5 | 227 | - | 950 | 117 |
| 188-198 | 002198 | B | 8 | M14 | 295 | 99 | 340 | 465 | 930 | 145,5 | 230 | 301 | 930 | 124 |
| | 88 | | | | | 147,5 | | | | 205 | | | | |

Approximate dimensions and weight

